



Building Department

PO Box 5604 – 5160 Yellowstone Avenue, Chubbuck, ID 83202
208.237.2430 – Fax 208.237.2409
www.CityofChubbuck.us

CITY INFRASTRUCTURE PROTECTION

(FORM TO BE SIGNED ONLY BY THE PERMIT HOLDER)

Initial

_____ Lots and properties within the City of Chubbuck typically include, or are near, municipal infrastructure such as sewer, water, secondary irrigation, and streets.

_____ All excavation and grading work performed within the State of Idaho requires compliance with laws governing Digline (1-800-342-1585) prior to performing any work.

_____ Best management practices shall be taken by the permit holder to protect all City infrastructure to ensure that municipal utilities are not damaged during the construction process.

_____ In the event that any city infrastructure is damaged at any time during the process by the permit holder, suppliers, subcontractors, or any other agent of the permit holder, it is the permit holder’s responsibility to notify the Building Department of the event’s details as soon as possible. The City will repair the damage and the permit holder shall be assessed all costs of repair, which shall include materials, labor, and other associated costs. In the event that the permit holder fails to pay the assessment, the City may issue a Stop Work order on the site until remedy is provided, or pursue other methods legally available to the City.

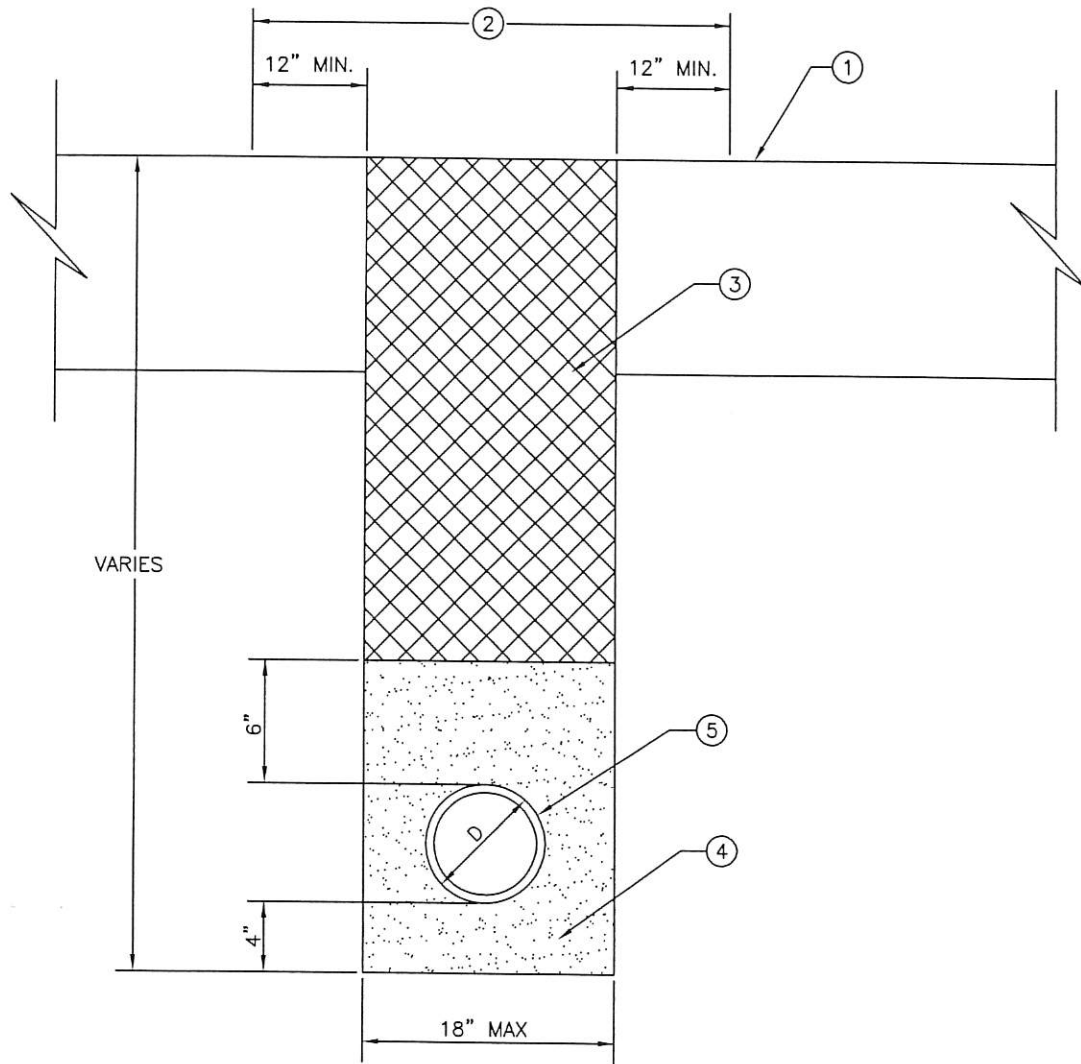
_____ No permit holder is authorized to make any modification to any infrastructure’s placement or location, including irrigation boxes and lines, unless specifically authorized by the Engineering Department and with the necessary inspections.

I, the undersigned, certify that I have read this form and am aware of my responsibilities and obligations herein listed.

Printed Name

Signature

Date



NOTES

- (A) USE THIS DETAIL FOR POTHOLE OVER ALL UTILITIES.
- (B) SAWCUT ALL ASPHALT IN NEAT LINES.

LEGEND

- (1) FINISH GRADE.
- (2) SEAL COAT W/CLASS 4 COVER PER SECTION-808 OF THE IDAHO STANDARDS FOR PUBLIC WORKS CONSTRUCTION.
- (3) FLOWABLE FILL BACKFILL PER SECTION-703 OF THE IDAHO STANDARDS FOR PUBLIC WORKS CONSTRUCTION.
- (4) 3/4" MINUS CRUSHED AGGREGATE OR SAND BEDDING.
- (5) PIPE OR CONDUIT.